



# KOMO<sup>®</sup>

product certificate



Number	K90773/01	Replaces	--
Issued	2018-01-02	Dated	--
Valid until	Indefinite	Page	1 of 2

## Steel for the reinforcement of concrete B500B: bars **Public Joint-Stock Company ArcelorMittal kryvyi Rih**

### STATEMENT BY KIWA

This product certificate is issued on the basis of BRL 0501 "Steel for the reinforcement of concrete" (Betonstaal) dated 2010-09-01 by Kiwa, in accordance with the Kiwa Regulations for Certification.

Kiwa declares that legitimate confidence exists that the by the producer manufactured steel for the reinforcement of concrete comply with the technical specifications as laid down in this product certificate, provided that the steel for the reinforcement of concrete have been marked with the KOMO<sup>®</sup>-mark in the manner as indicated in this product certificate.

Luc Leroy  
Kiwa

*The certificate is included in the summary on the website of KOMO: [www.komo.nl](http://www.komo.nl).  
Advice: consult [www.kiwa.nl](http://www.kiwa.nl) in order to ensure that this certificate is still valid.*

**Kiwa Nederland B.V.**  
Sir W. Churchill-laan 273  
Postbus 70  
2280 AB RIJSWIJK  
The Netherlands  
Tel. +31 88 998 44 00  
Fax +31 88 998 44 20  
[www.kiwa.nl](http://www.kiwa.nl)

**Holder of Certificate**  
Public Joint-Stock Company ArcelorMittal kryvyi Rih  
Ordzhonikidze Street 1  
50095, Kryvyi Rih, Dnipropetrovsk region  
Ukraine  
Phone : +380 056 49 92 002  
[www.arcelormittal.com.ua](http://www.arcelormittal.com.ua)

Evaluated is:  
quality system  
product  
Periodic inspection

CERTIFICATE

Steel for the reinforcement of concrete B500B: bars

**PRODUCT SPECIFICATION**

**General**

Steel for the reinforcement of concrete B500B (bars) are in accordance with the requirements of chapter 4 of guideline BRL 0501 and with that of NEN 6008.

The products are meant to be used in constructions of concrete.

**Further specification**

Classification : B 500B  
 Production method : Hot rolled/water cooled  
 Nominal size : 8 - 10 - 12 - 14 - 16 - 20 - 25 - 28 - 32 mm  
 Delivery condition : bars

**Marking**

The products are marked with a label with upon it at least on a clear and indelible way:

- the KOMO<sup>®</sup>-logo and the certificate number, figure 1;
- the classification B500B;
- the diameter;
- the rolling mark;
- heatnumber/castnumber/coilnumber;
- name of the certificate holder;
- BRL 0501.

Place of the label: at least one label per bundle of bars.

Steel for the reinforcement of concrete is marked on the following way:

On one rib row by missing ribs, with the code (9-22), figure 2.

Place of the mark: on a mutual distance of ± 1 meter. The position of the transverse ribs may also be in reverse.

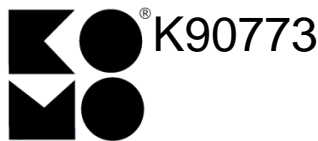
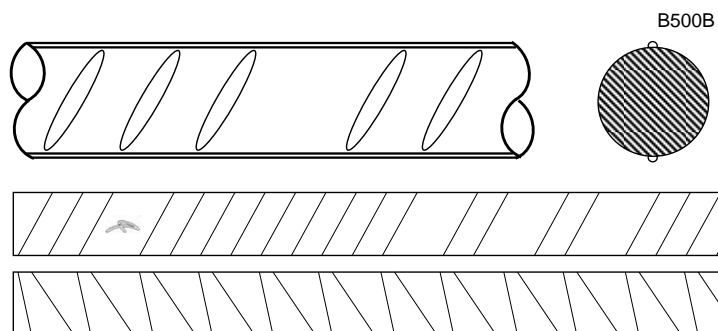


Figure 1



(9 – 22) Figure 2

**RECOMMENDATIONS FOR USERS**

Check at the time of delivery whether:

- the producer has delivered in conformity with the agreement;
- the mark and marking method are correct;
- the products do not show any visible defects due to transport.

If you should reject a product on the basis of the above, please contact:

- Public Joint-Stock Company ArcelorMittal kryvyi Rih
- and if necessary:
- Kiwa Nederland B.V.

Consult the supplier's processing guidelines for the proper storage and transport methods, NEN 6722 and/or NEN-EN 13670.

**CONSTRUCTION PRODUCTS REGULATIONS**

If a construction product is subject to a European harmonised technical specification, the statements in this KOMO product certificate must not be used as a replacement for the CE marking on such construction product and/or for the associated obligatory Declaration of Performance.

**LIST OF DOCUMENTS**

NEN 6008	Betonstaal
NEN 6722	Voorschriften Beton – Uitvoering
NEN-EN 13670	Het vervaardigen van betonconstructies

\* For the actual version of the standards see the latest version of the BRL 0501 or latest amendment sheet.